

METEOR 120



Ground recessed IP67 luminaires with aluminium body and stainless steel ring. Wide selection of beam angles and optics. Top quality COB LED module with colour consistency MacAdams 3, extensive portfolio of lumen ranges, CCTs and spectra. Variety of drivers : standard EVG on/off or DALI. Mounting into any type of ground with our mounting kit. Body is made of aluminium and stainless steel. Selection of lumen outputs and beam angles allows to use this luminaire in different types of lighting projects. Standard luminaire is not intended for use in increased corrosivity category environment, e.g. with increased salt concentration. Extra corrosion protection is available on request.

Luminous flux & Luminaire Power tolerance up to 10%. System power consumption depends on components used. Luminous efficacy depends on type of LED's, electronics, optics and diffusor. The most up to date technical parameters can be found on our website and in database of LDT files.

Lighting direction



PDF datasheet:



METEOR 120

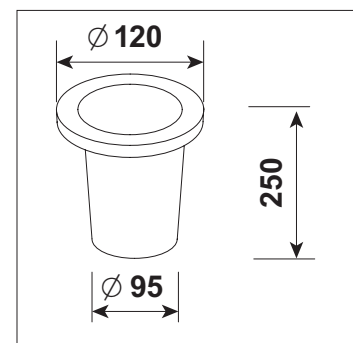
Mounting:	Ground recessed
Body material:	Aluminium and stainless steel
Colour:	Standard stainless steel finish, other colours on request
Lumen output:	Standard up to 1000 lm any other on request
LED module:	Signify (Philips), Tridonic or equivalent COB LED module
Colour temperature:	3000/4000K, other on request
Colour Rendering:	CRI>80 in standard, other on request
Driver:	EVG on-off, DALI, other on request
Wireless control:	N/A
Daylight/Occupancy sensor:	N/A
Emergency unit:	N/A
Operating temperature range:	-20°C ... +40°C
IP Class:	IP67 in standard
Power:	220-240V 50/60Hz
Lighting direction:	Uplight
Light distribution:	Symmetric
Optics:	Lens
Beam angle:	25°/45°/60°/90°/ASY
Diffuser:	CG clear glass
Warranty:	5 Years standard warranty

METEOR 120 ground recessed luminaire

All current index numbers, lumen outputs, power consumption and many other technical information are available in our 2024 pricelist.



Evaporation valve



Basic dimensions